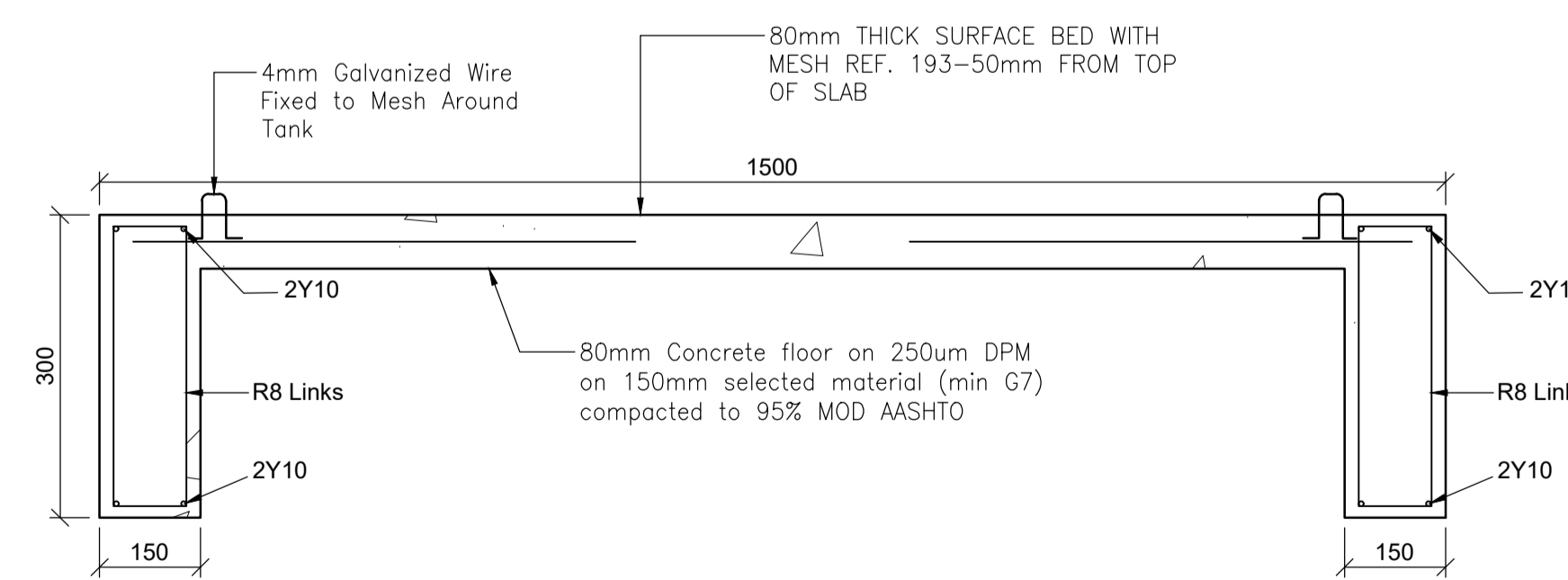


MEMBER	No OFF	No In Each	Dia.	Length	Total No	Mark	S C	BENDING SCHEDULE						
								A	B	C	D	E/r		
BEAM 300 X 150	4	2	Y10	1400	8	01	20	1400						
	4	2	Y10	1400	8	02	20	1400						
	4	7	R8	700	28	03	60	50	200					
MARK BEAM 5														

NOTE:
COVER TO REINF = 50

Dia.	8	10	12	16	20	25	32	40	TOTAL
R									Det By
Y									Ref Dwg
Total									Project No.
									Revision
									Schedule No.

TANK STAND FOUNDATION DETAILS (ALL FOUNDATION TYPES)



TANK STAND

STANDAARD VORMS / STANDARD SHAPES				
20	39	52	73	99A
32	41	53	74	99B
33	42	54	75	99C
34	43	55	81	99D
35	45	60	83	99E
36	48	62	85	99F
37	49	65	86	
38	51	72		

NOTE:
1. SHAPE CODES TO S.A.B.S. 87
2. DIMENSIONS ARE EXTERNAL.

STATUS	REV	REVISION DESCRIPTION	RESPONSIBILITY	NAME	SIGNATURE	HI-TECH ENGINEERS AND PROJECT MANAGERS Tel: 087 056 1892 Fax: 087 056 1892 HI-TECH ENGINEERS AND PROJECT MANAGERS DEPARTMENT STRUCTURES	CLIENT RAY NKONYENI MUNICIPALITY Ray Nkonyeni Municipality P.O. Box 5 Port Shepstone 4240 TEL: 039 688 200 FAX: 039 682 0327	PROJECT DESCRIPTION ZG COMMUNITY HALL ROOF REPAIRS PROJECT DRAWING TITLE TYPICAL TANK STAND	DRAWING STATUS DESCRIPTION:			SCALE	SHEET	SHEET SIZE
D=DEVELOPMENT T=TENDER P=PLANNING			C=CONSTRUCTION A=AS BUILT						N.T.S	1 OF 1	A1			
HI-TECH CONSULTING ENGINEERS DRAWING NUMBER														
HITECH PROJECT DESCRIPTION			DISCIPLINE	NUMBER	STATUS				REV	RAY 2023 001 – STR – 005 – T – 00				
17	CONST	01	BENDING SCHEDULE	DESIGNED BY	B. SIBANDA	B.S								
				DRAWN BY	W.MBUNDWINI	W.M								
				DESIGN CHECKED	B.SIBANDA	B.S								
				DRAWING CHECKED	B.SIBANDA	B.S								
			P/ ENGINEER APPROVAL											
			NAME	B. SIBANDA	SIGNATURE									
			DATE		PROF/NHBRC REG No.	20150396/3000186092								